

Let's start with the PRIMA

A solution that only a pioneer can offer





A simple reader unit but with proven image quality and product durability.



Compact footprint, only 0.24m²

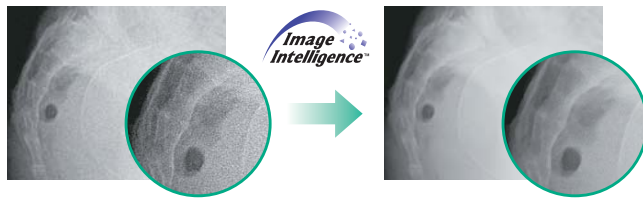
The FCR PRIMA is one of the most compact and lightweight reader units on the market. The required space is comparatively smaller than other similar table-top systems and can be installed in any open space. Another advantage of this unit is that you don't need a darkroom any longer.



Stable and optimized images

Image Intelligence™ from Fujifilm is an integration of various digital image processing technologies to enhance the contrast and sharpness of the entire image without any risk of losing the image details. With the Image Intelligence™ technology, you can now obtain stable, optimized, and high-quality images.

FNC (Flexible Noise Control)



Flexible reading in various sizes

The IP cassette can read various imaging sizes such as for the chest, lumbar spine, pantomography (15 x 30cm*), and extremities. Virtually all imaging requirements can be satisfied with a single unit.



*Optional (To be chosen at the time of purchase)

Durability that we can be proud of

The FCR systems have proven to be day-in and day-out reliable, thanks to the well-designed product features and the built-in redundancy that prevents problems before they occur. In working with the FCR, its proven durability will provide you with the maximum uptime for your medical facilities.

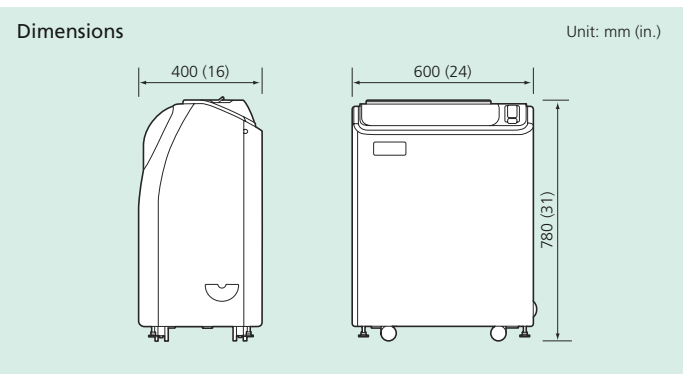
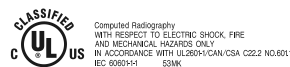
Other features

- Throughput of up to 29 images an hour
- Repeated use of IP

FCR PRIMA Specifications

Standard Components	FCR PRIMA Image Reader (Model: CR-IR 391RU) AC power cord
Other System Components	IP cassette type CC FCR PRIMA Console, FCRView Dry Imager: DRYPIX PRIMA, DRYPIX 2000, 4000, 7000
Supplies	Imaging Plate ST-VI: 35 x 43cm (14" x 17"), 35 x 35cm (14" x 14"), 10" x 12", 8" x 10", 24 x 30cm, 18 x 24cm, 15 x 30cm IP Cassette Type CC: 35 x 43cm (14" x 17"), 35 x 35cm (14" x 14"), 10" x 12", 8" x 10", 24 x 30cm, 18 x 24cm, 15 x 30cm
Time Required for IP Feed/Load	Min. 125 sec.
Processing Capacity	Up to 29 IPs/hr.
Reading Specification	10 pixels/mm
Time to Start on Display	Min. 23 sec.
Time to Print on DRYPIX PRIMA	Approx. 200 sec. in case of 35 x 43cm Approx. 190 sec. in case of 35 x 35cm
Number of Stacker	1
Network	10 Base T/100 Base TX
Dimensions (W x D x H)	600 x 400 x 780mm (24" x 16" x 31")
Weight	70kg (154lbs.)
Power Supply Conditions	Single phase 50-60Hz AC100-240V ±10% 5A (max)
Environmental Conditions	Operating Conditions: • Temperature: 15-30°C • Humidity: 15-80%RH (No dew condensation) • Atmospheric pressure: 750-1060hPa

This equipment is a Class 1 laser product (IEC60825).



Imaging Plate ST-VI

35 x 43cm (14" x 17"),
35 x 35cm (14" x 14"),
10" x 12", 8" x 10",
24 x 30cm, 18 x 24cm,
15 x 30cm

IP Cassette Type CC

35 x 43cm (14" x 17"),
35 x 35cm (14" x 14"),
10" x 12", 8" x 10",
24 x 30cm, 18 x 24cm,
15 x 30cm



Specifications are subject to change without notice.
All brand names or trademarks are the property of their respective owners.
In some countries, regulatory approval may be required to import medical devices.
For the availability of these products, please contact your local sales representatives.



FUJIFILM Corporation

26-30, NISHIAZABU 2-CHOME, MINATO-KU, TOKYO 106-8620, JAPAN
http://www.fujifilm.com/products/medical/