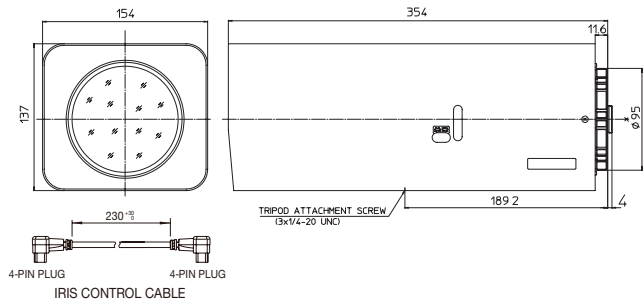


# D60x12.5R3DE-V41

Day Night **60x** **1/2"** **750mm** Extender **2x**



		D60x12.5R3DE-V41
Sensor size (max.)		1/2"
Focal length (mm)	1x	12.5 - 750
	2x	25 - 1500
Zoom ratio		60x
Extender		2x
Mount		C-mount
Iris range	1x	F3.8 - T3000 (Equiv. to F3000)
	2x	F7.6 - T3000 (Equiv. to F3000)
Maximum relative aperture (W/T)		1:3.8 / 1:7.1
M. O. D. (m)		5
Filter	ND	✓
	IR Cut	✓
Lens control interface		Analog
Lens control	Zoom	Speed
	Focus	Speed
	Iris	Auto(Video) + Position
Position output	Zoom	✓
	Focus	✓
	Iris	-
Day & Night		✓
Back focal distance (in air) (mm)		53.23
Flange focal length (mm)		17.526
Exit Pupil position (from image plane) (mm)	1x	-77
	2x	-38
Size (HxWxL) (mm)		137 x 154 x 354
Weight (kg)		5.1
Filter thread (mm)		M107 x 1mm
Operating temperature		-10°C - +50°C
Wiring Diagram		P19

\*1: The iris automatically closes when the camera is turned off.  
 \*2: For details on the Iris-Remote connection, see the relevant Technical Reference (Page 20).

## ■ D60x12.5R3DE-ZP1: serial control model

### C-mount Extender Lenses [Option]

#### Specifications with Extender lenses

HE15-1

HE20-1



	HE15-1	HE20-1
Zoom ratio	1.5x	2x
Mount	C-mount	C-mount
F. No.	Attached lens × 1.5	Attached lens × 2
Focal length	Attached lens × 1.5	Attached lens × 2
M.O.D	Same as the Attached lens	Same as the Attached lens
Angle of view	Attached lens × 1/1.5	Attached lens × 1/2
Field of view	Attached lens × 1/1.5	Attached lens × 1/2

1. For C mount lenses only. Not applicable to CS mount lens.
2. Not for 3CCD cameras.
3. These extenders can not be used over another.

